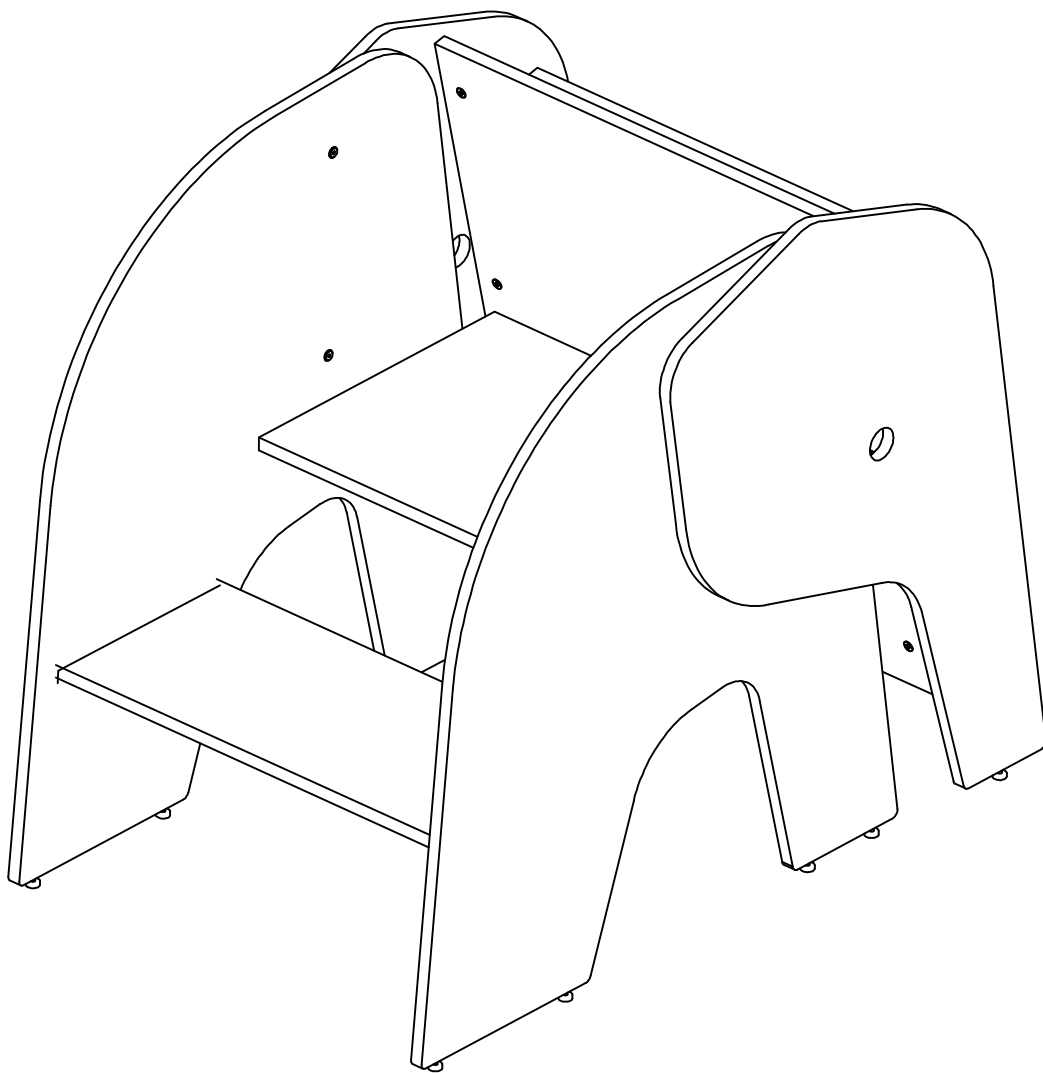


Assembly Guide

E7656 Picture book browser Elof, w.reading space



2016.10

First check the contents to make sure that nothing is missing. Sort out the screws and fittings as shown.
Assemble your furniture step by step, as shown in the illustrations.

