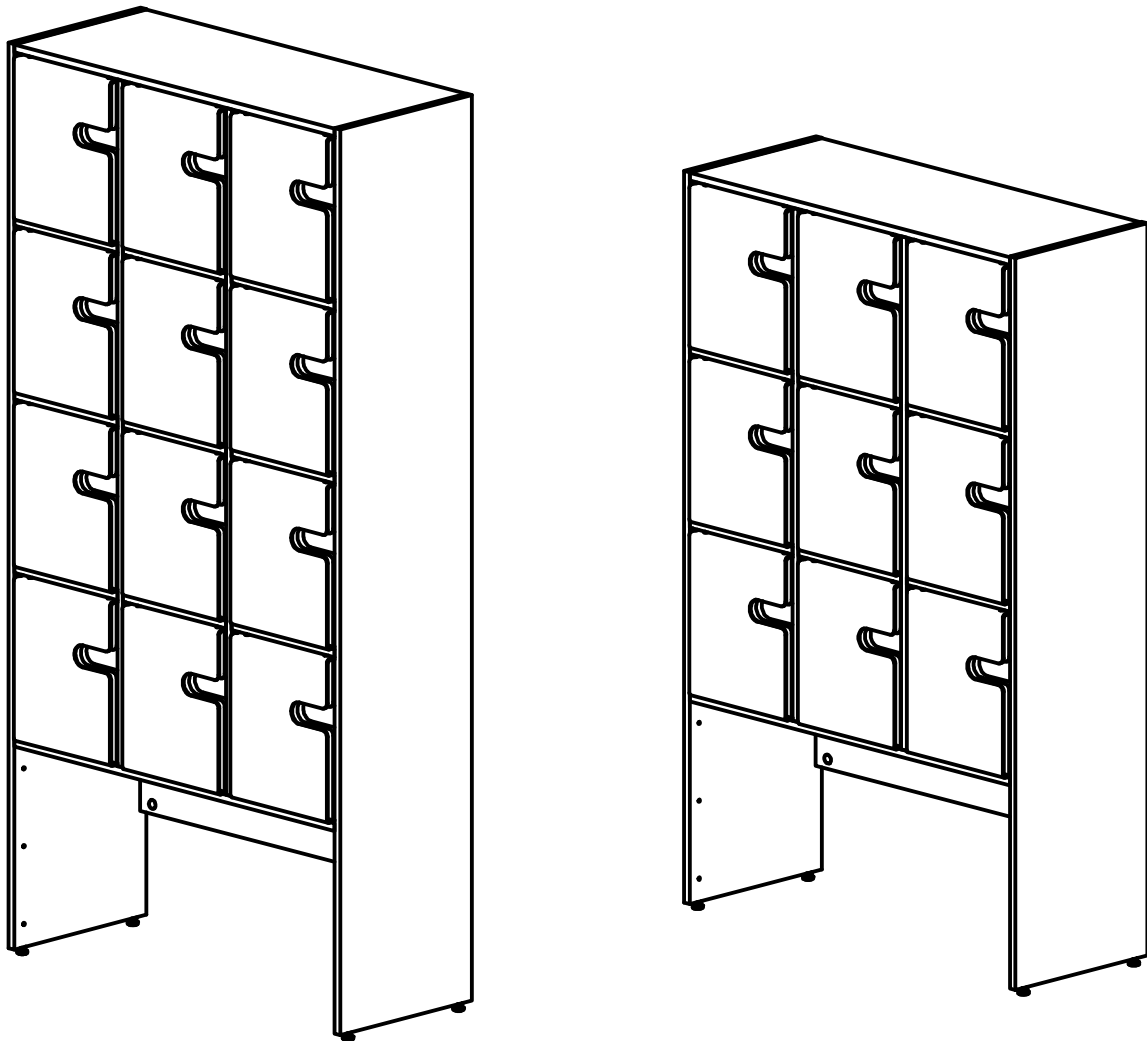


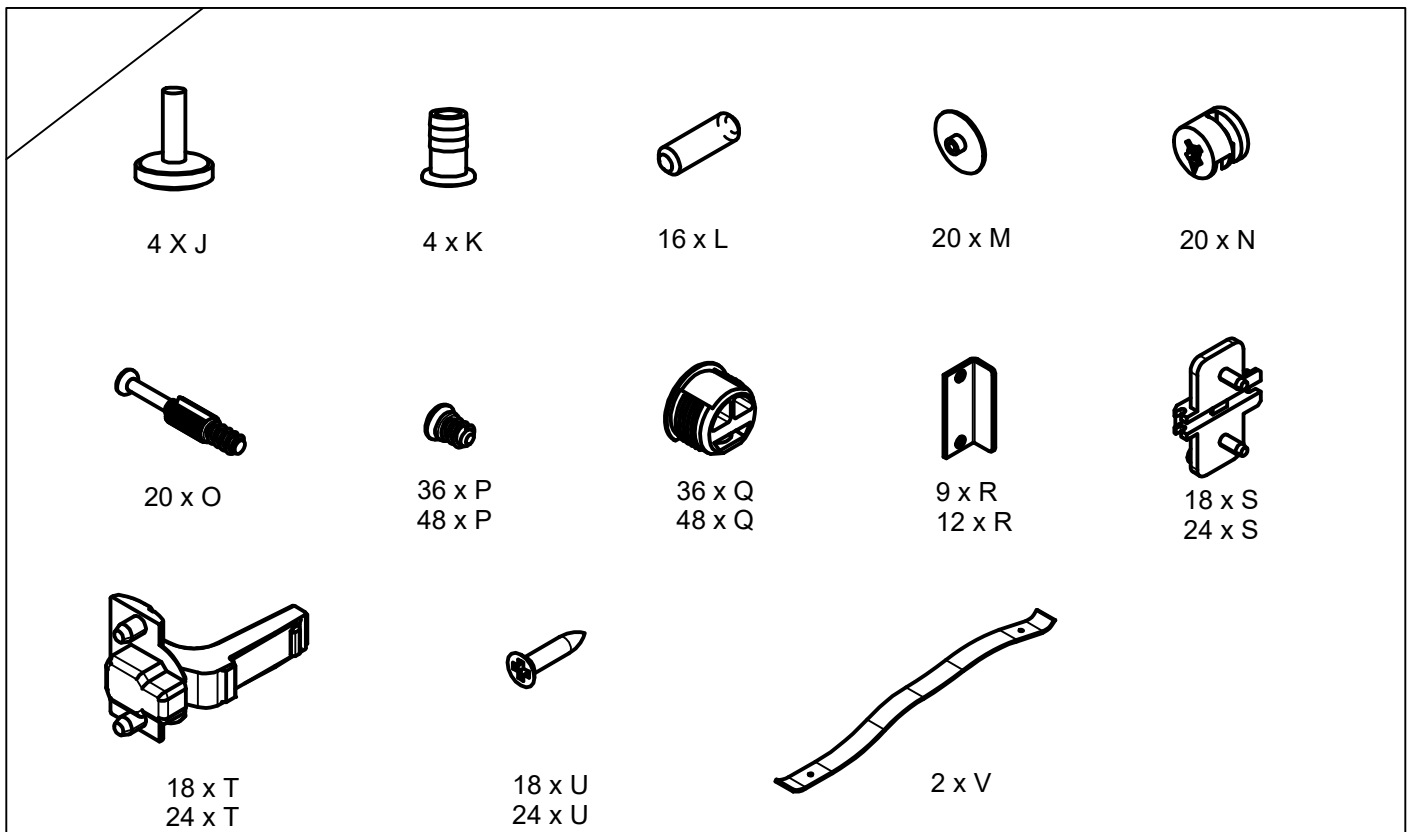
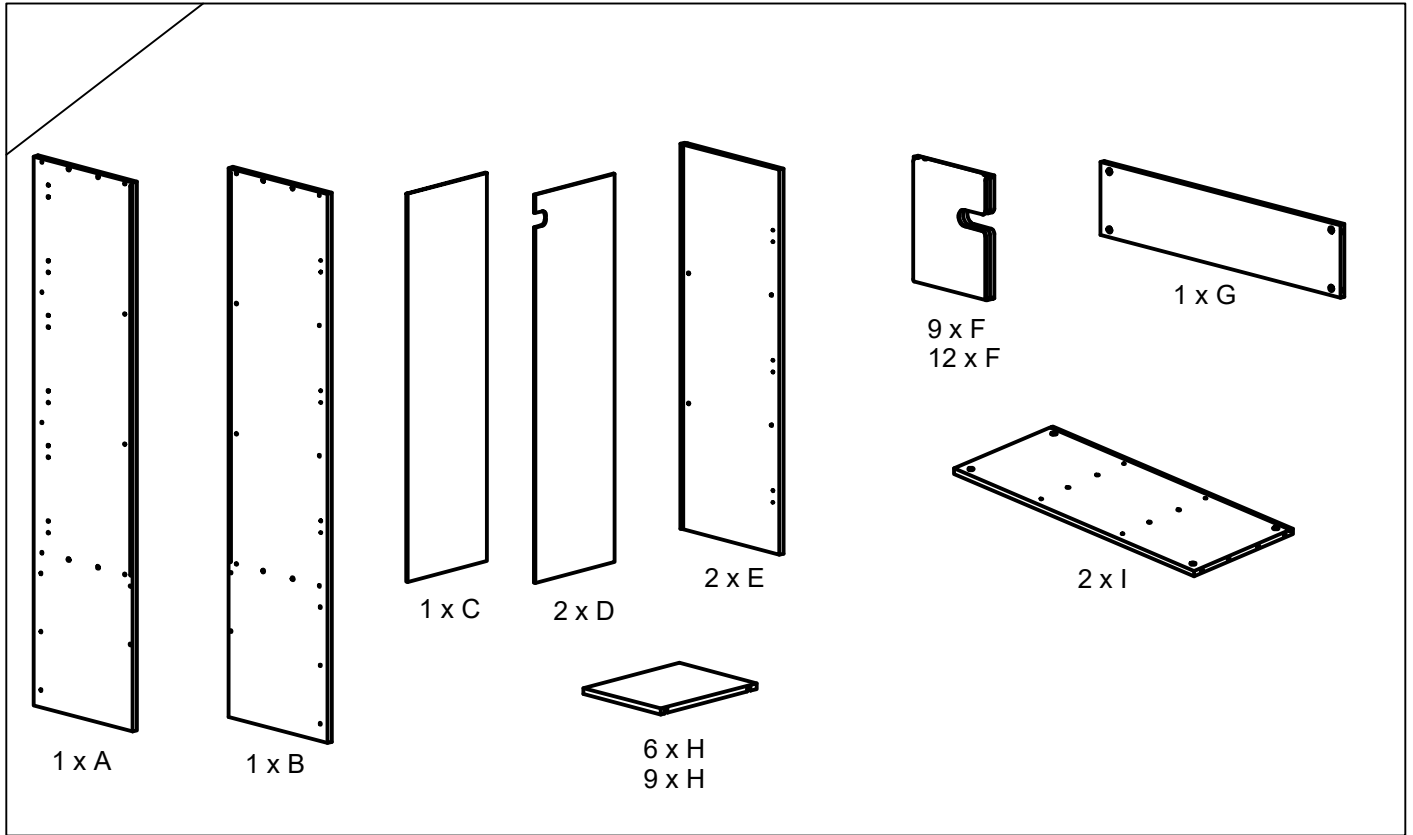
Assembly Guide

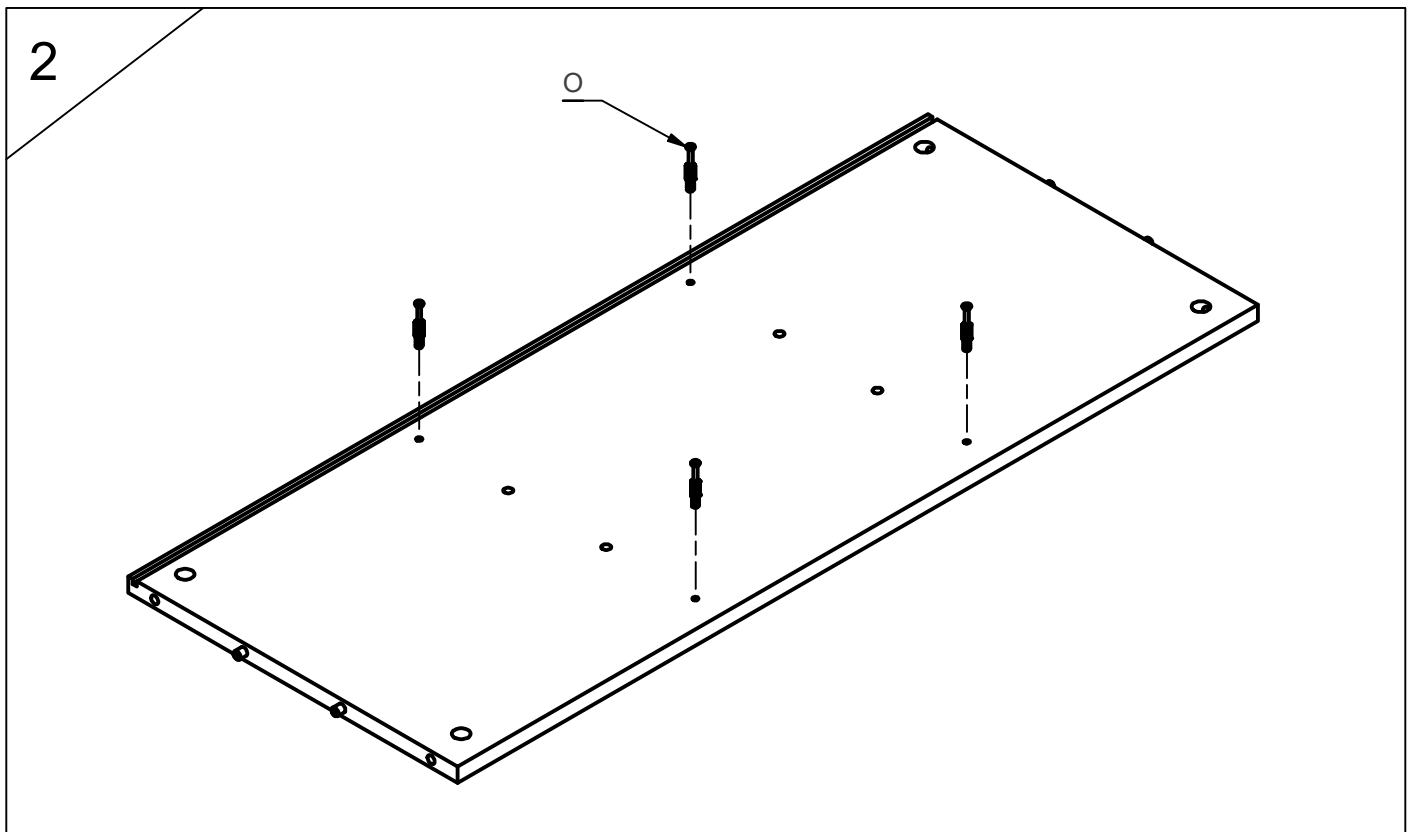
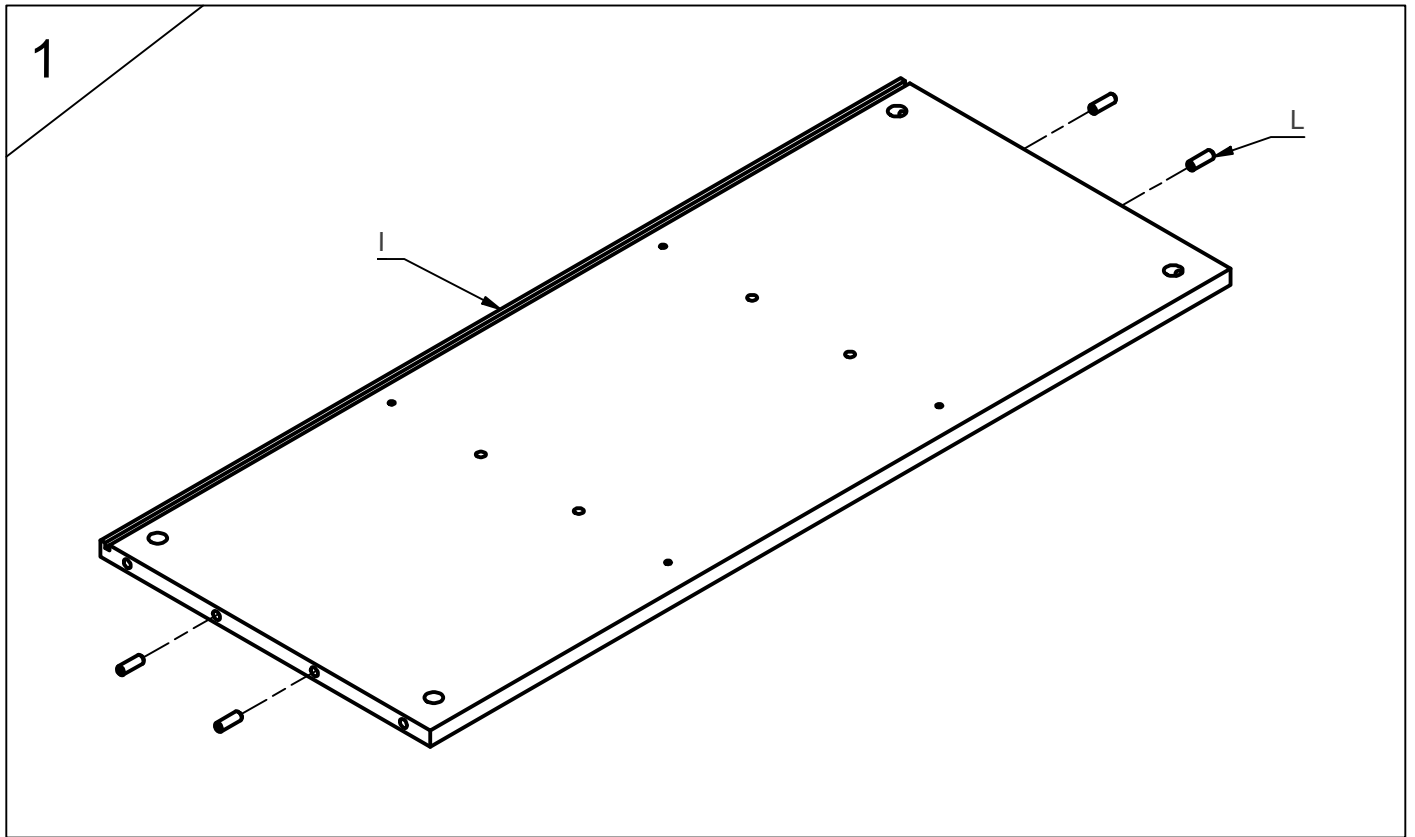
Showandstore 3x4 and 3x3

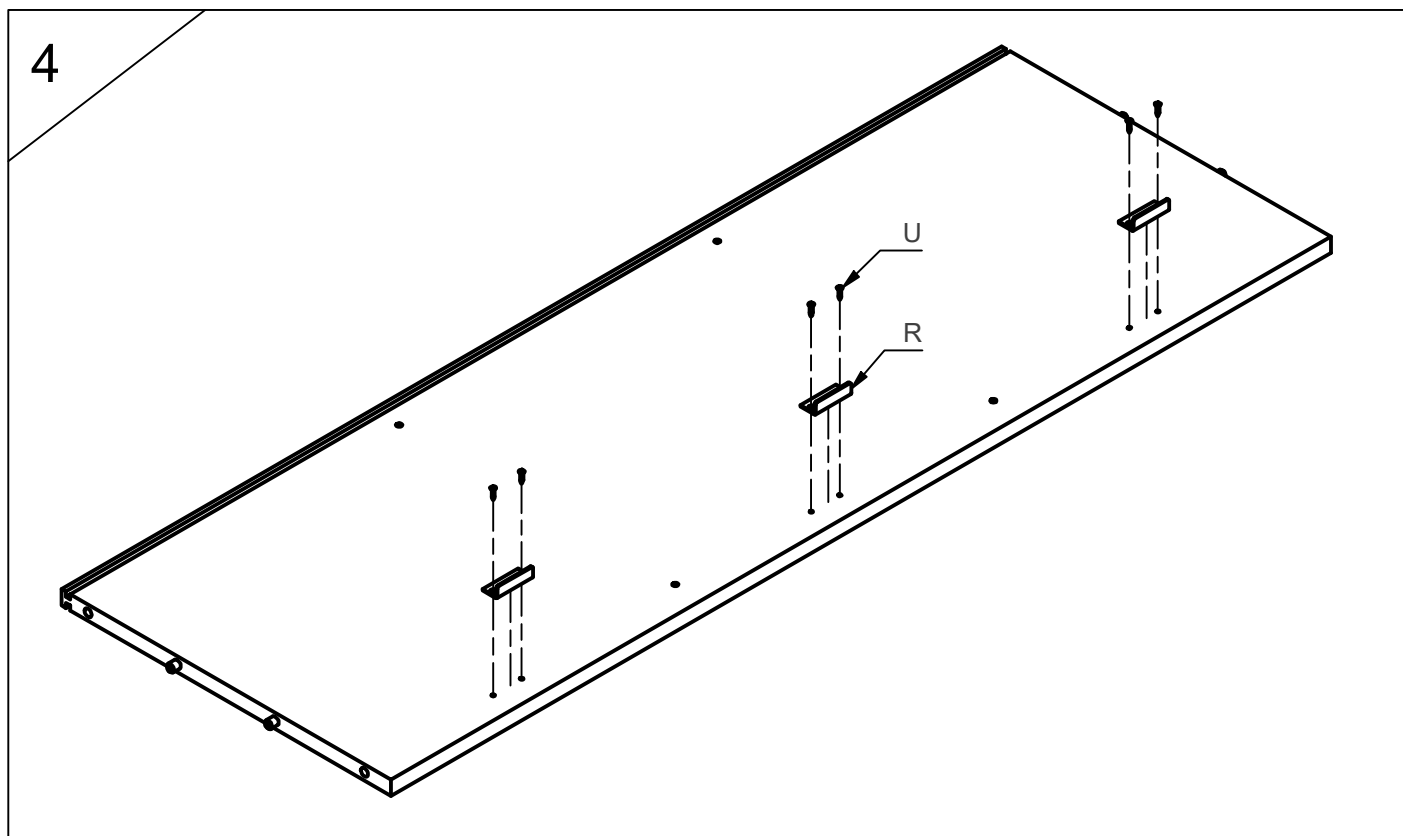
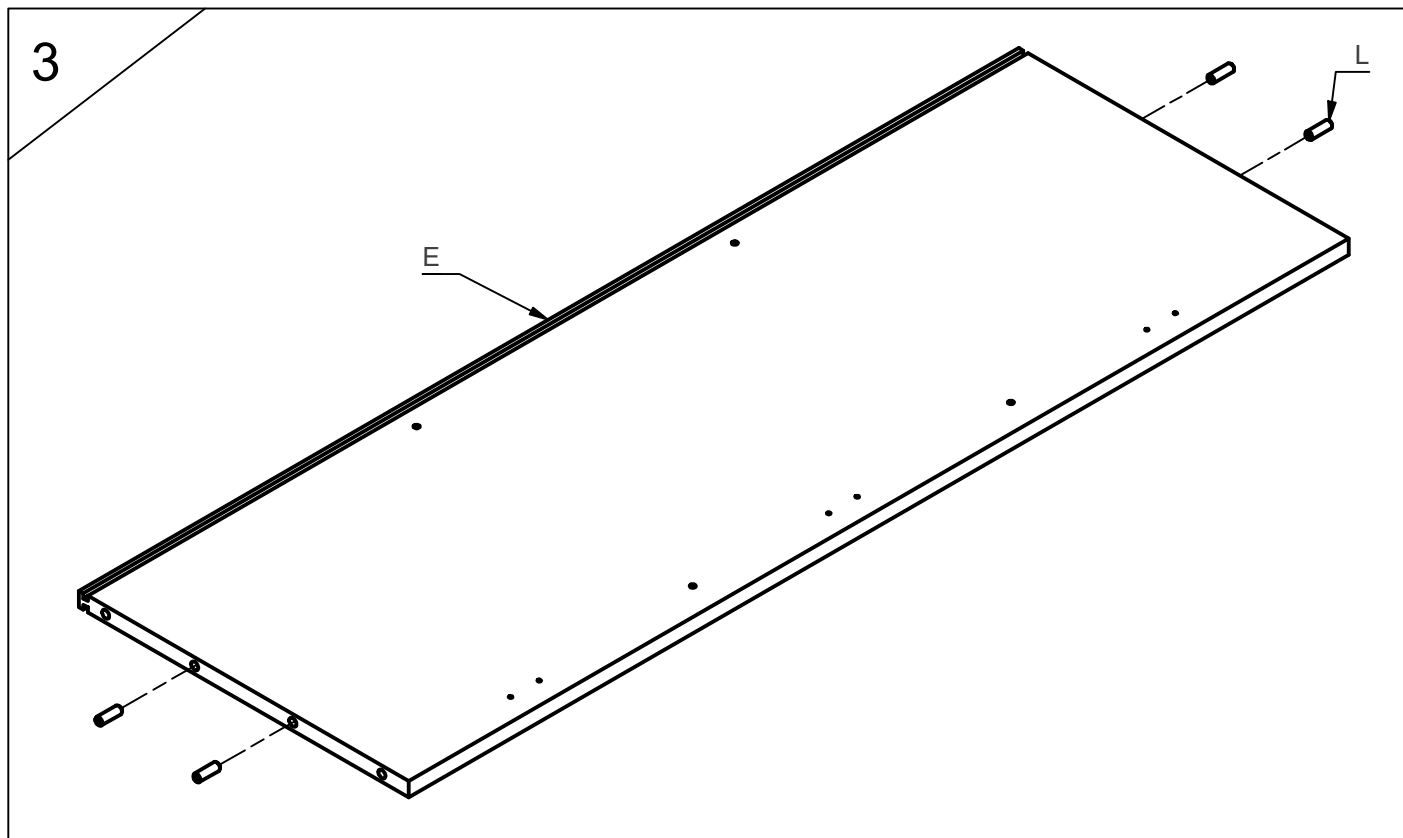


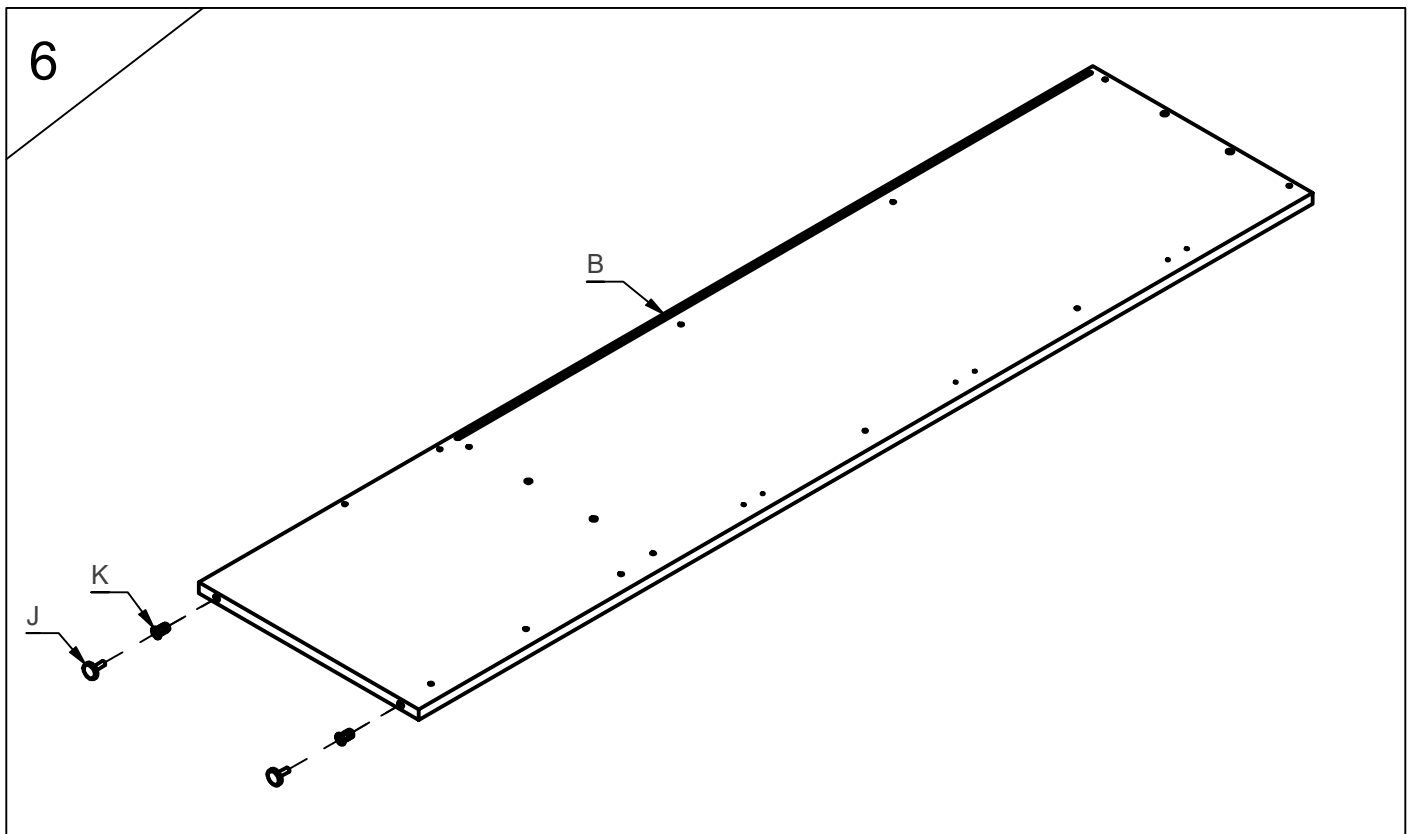
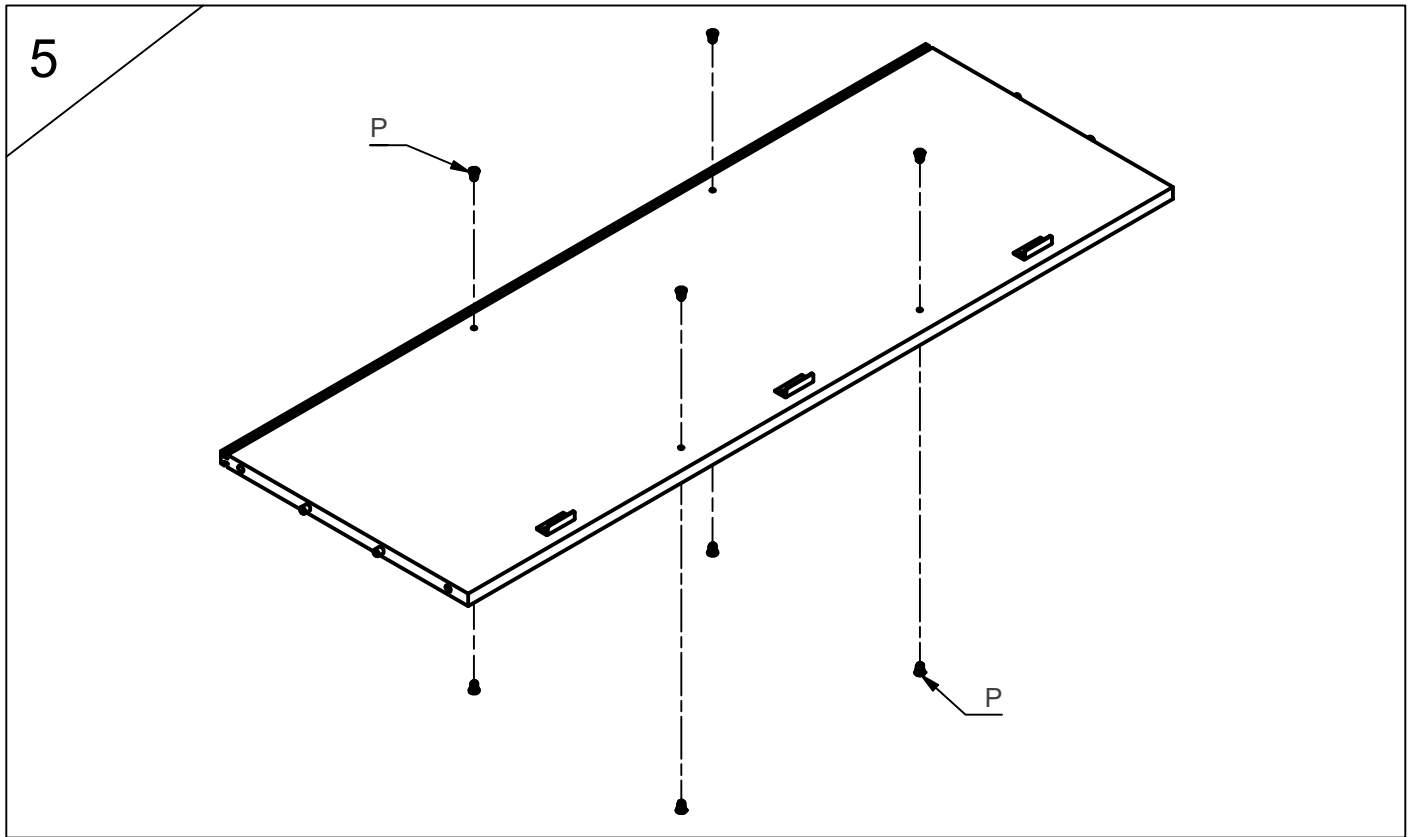
09.2019

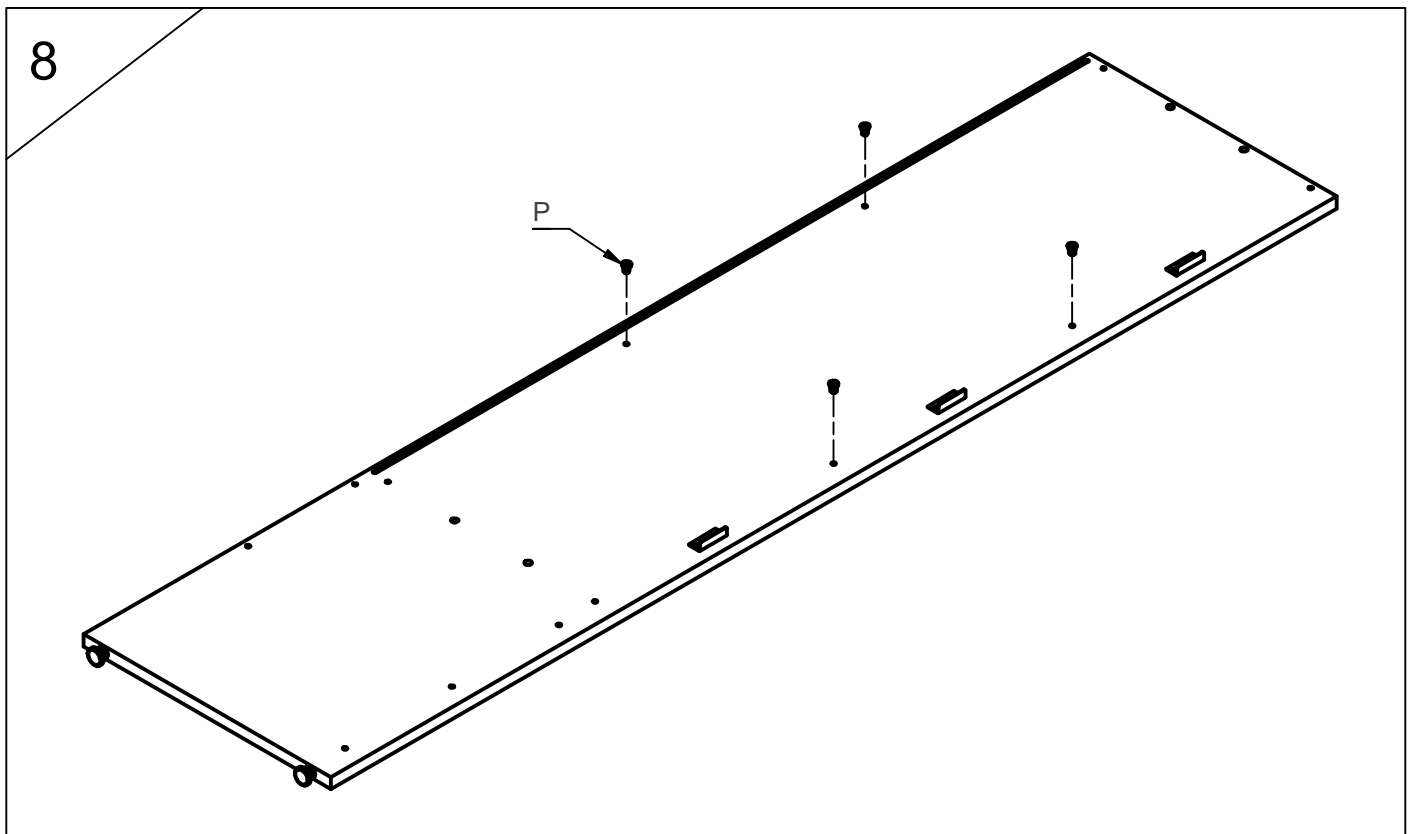
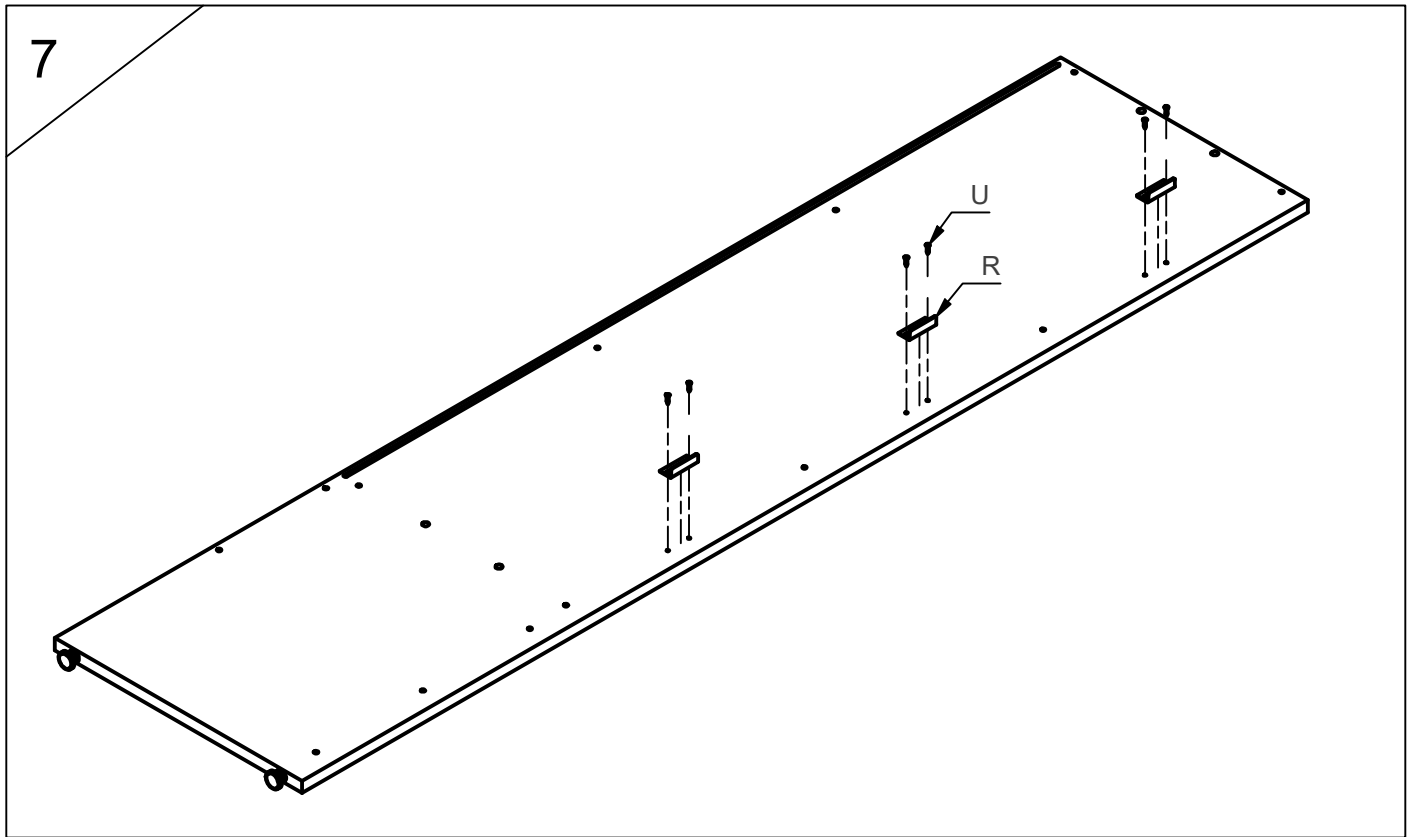
First check the contents to make sure that nothing is missing. Sort out the screws and fittings as shown.
Assemble your furniture step by step, as shown in the illustrations.

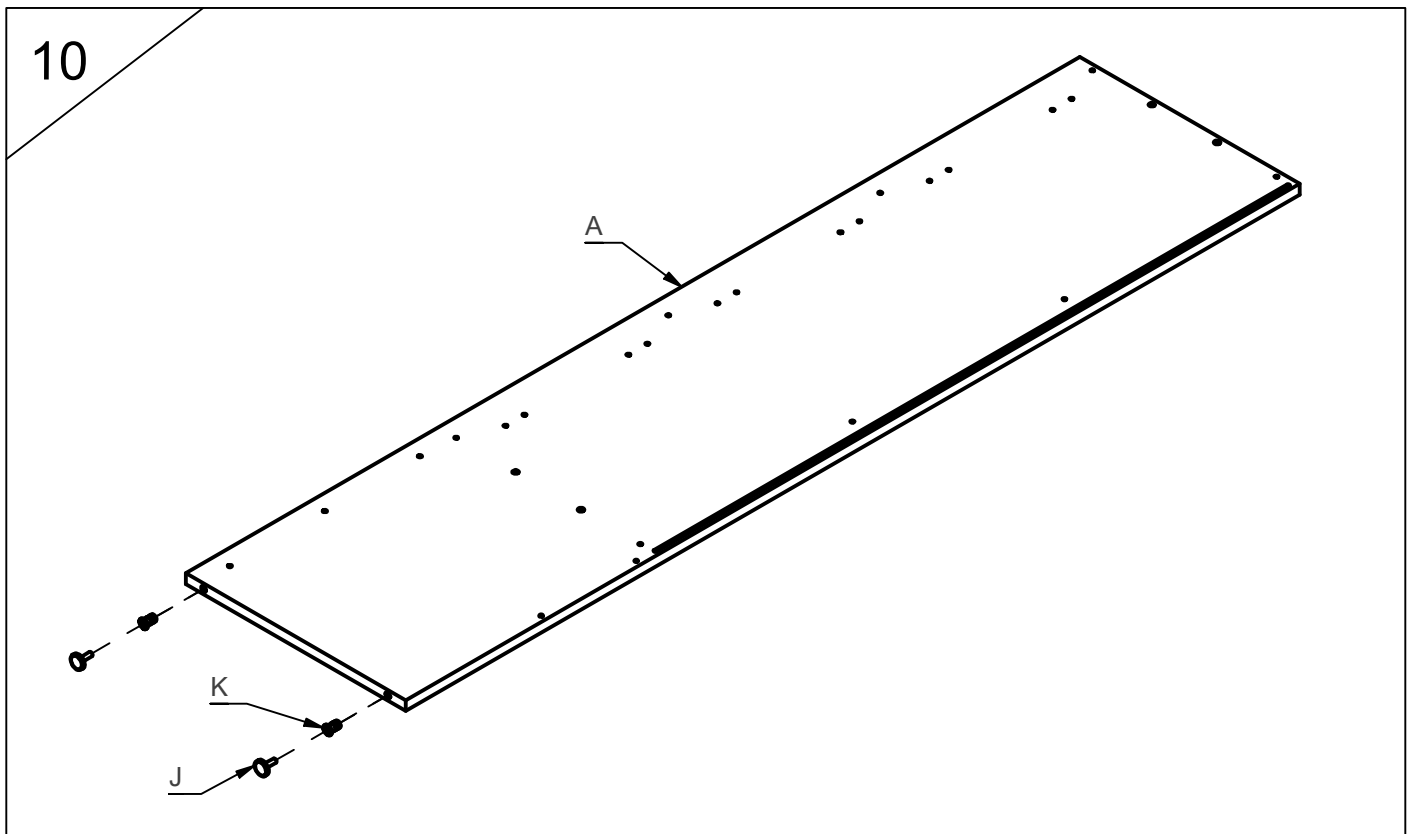
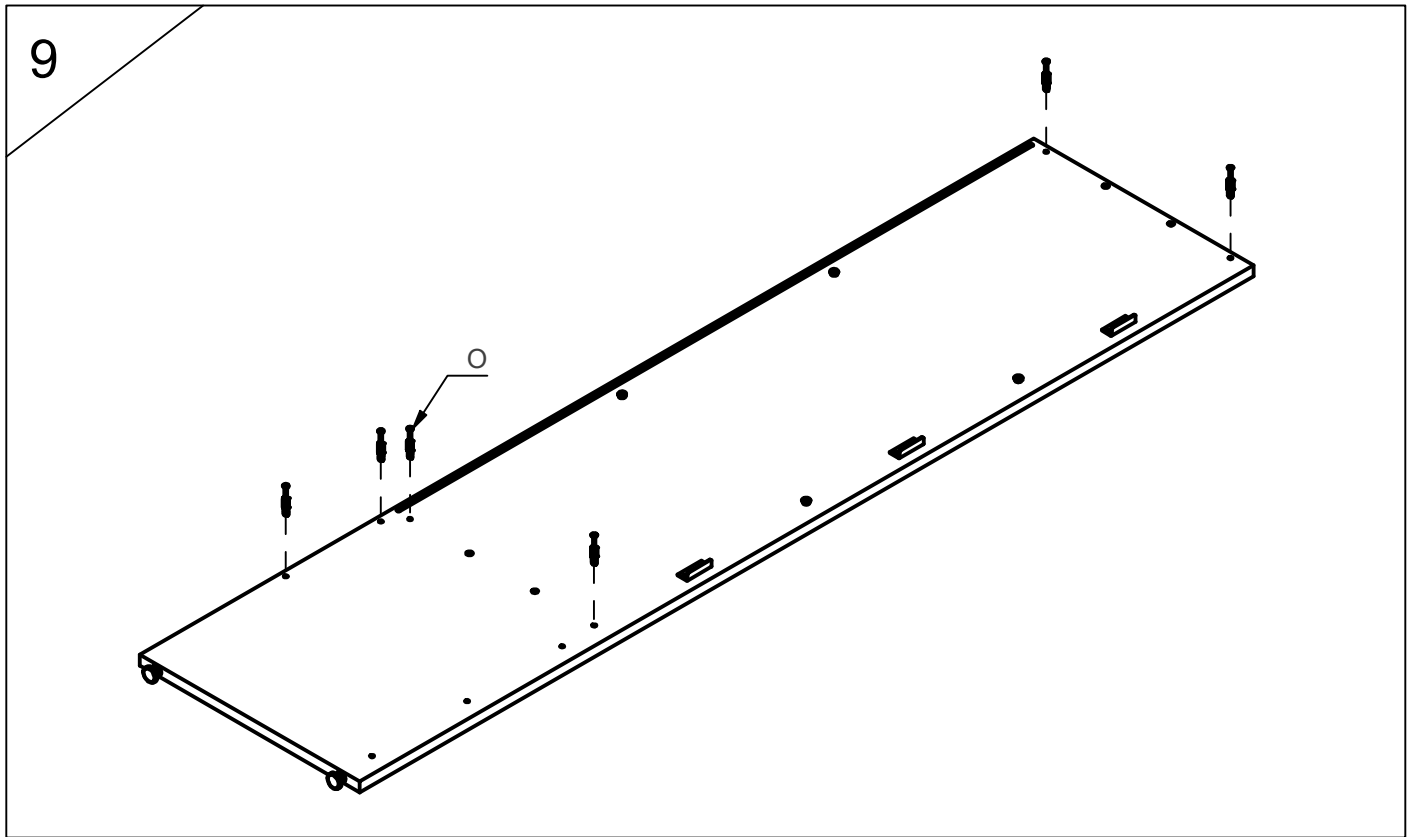


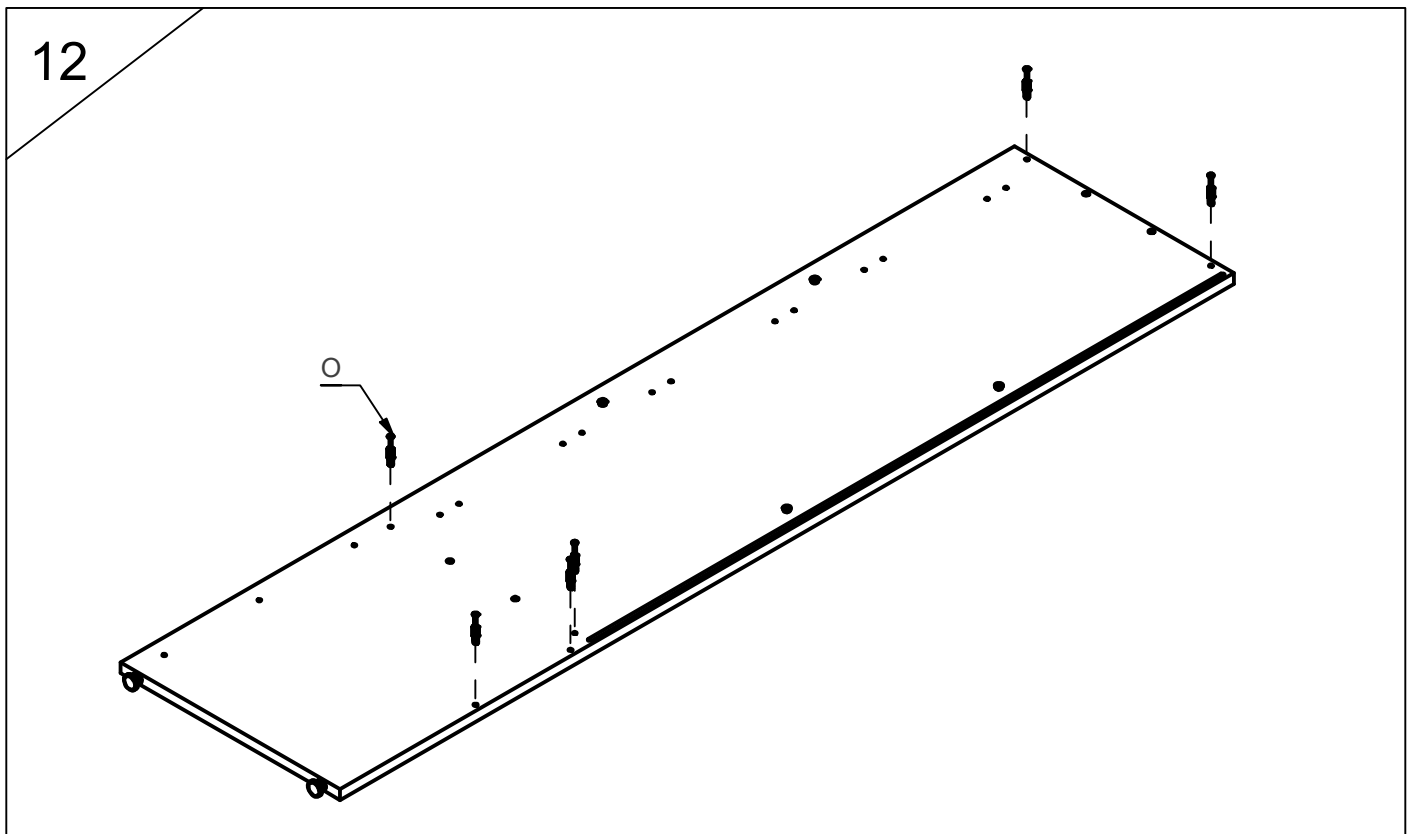
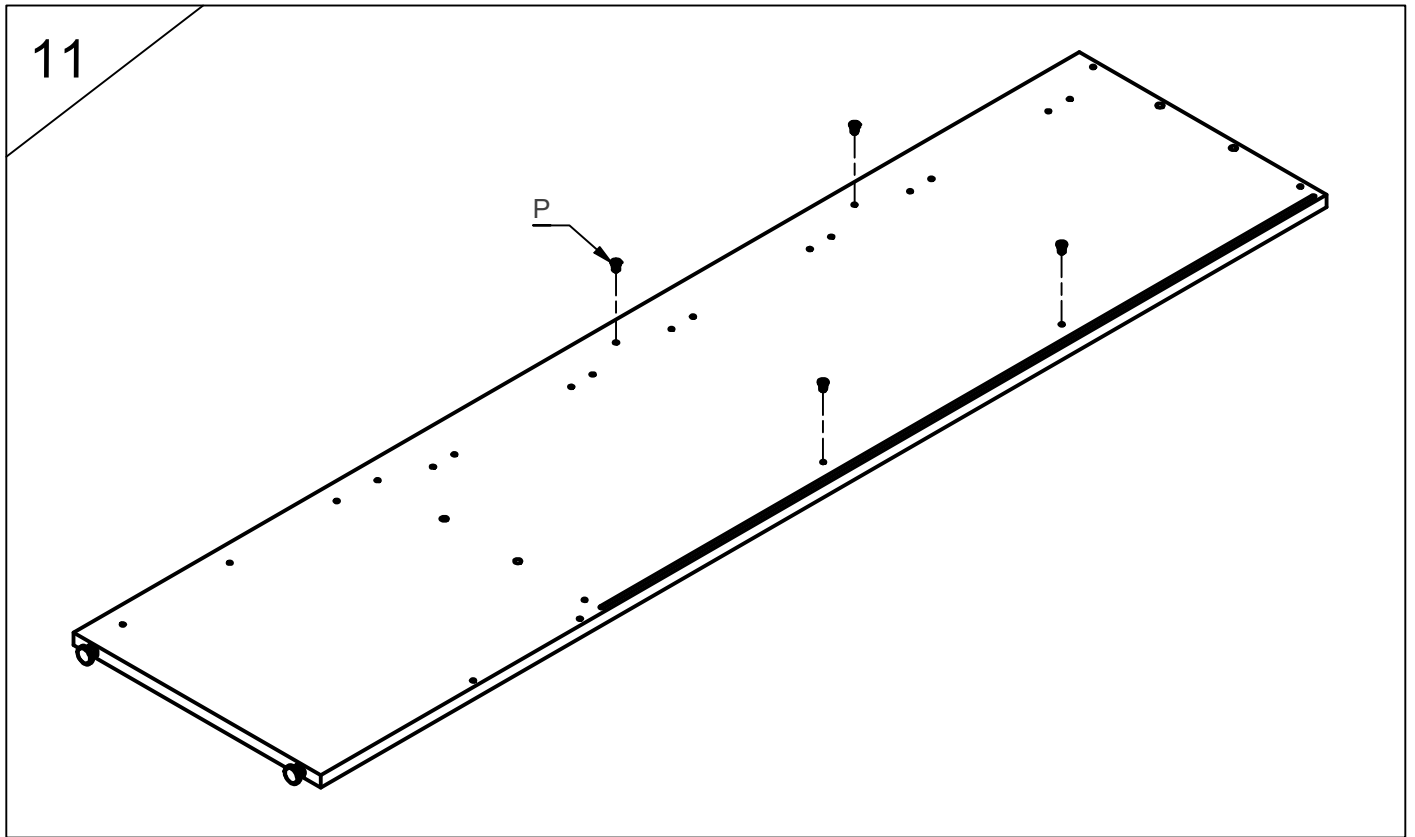




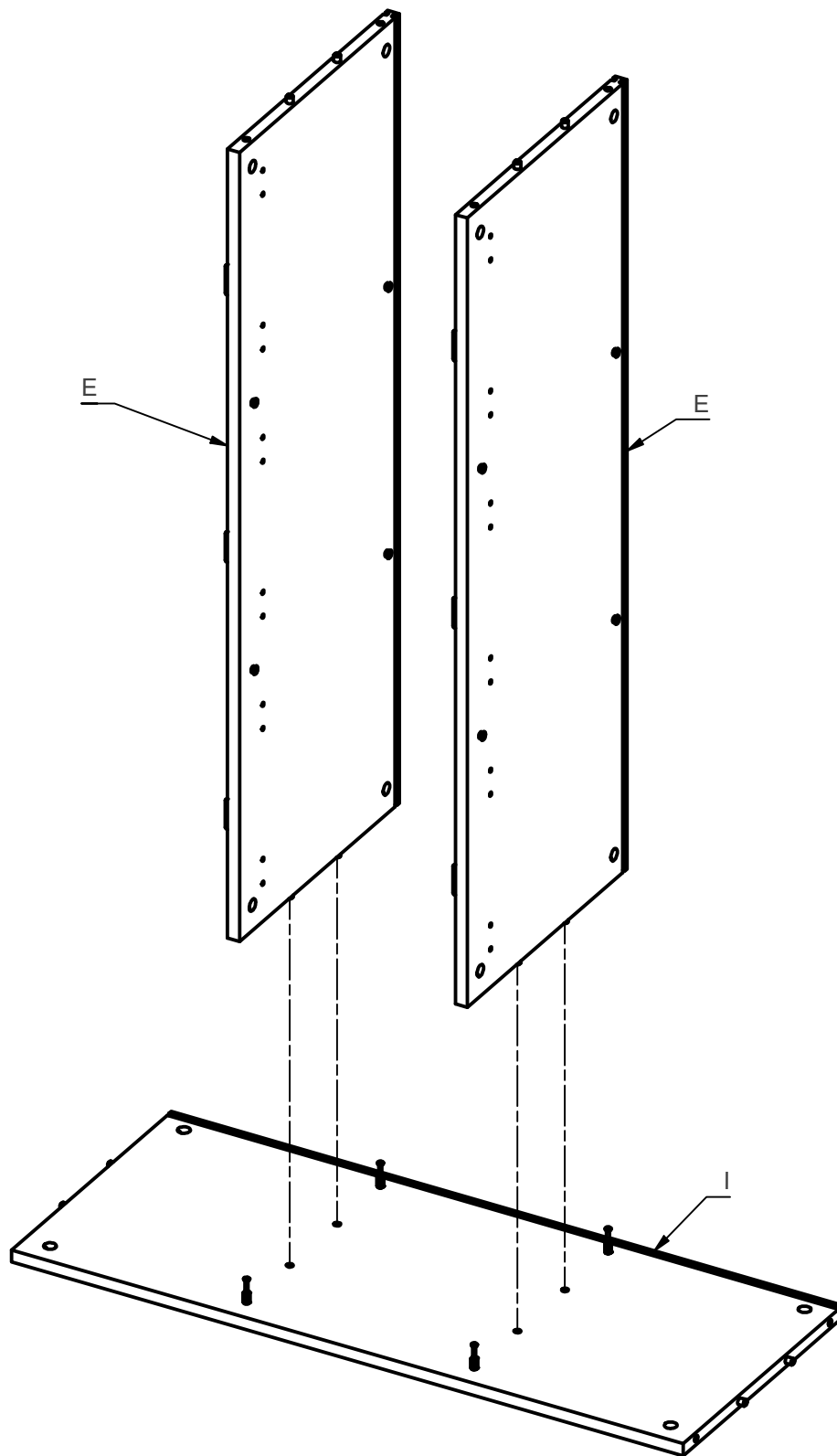




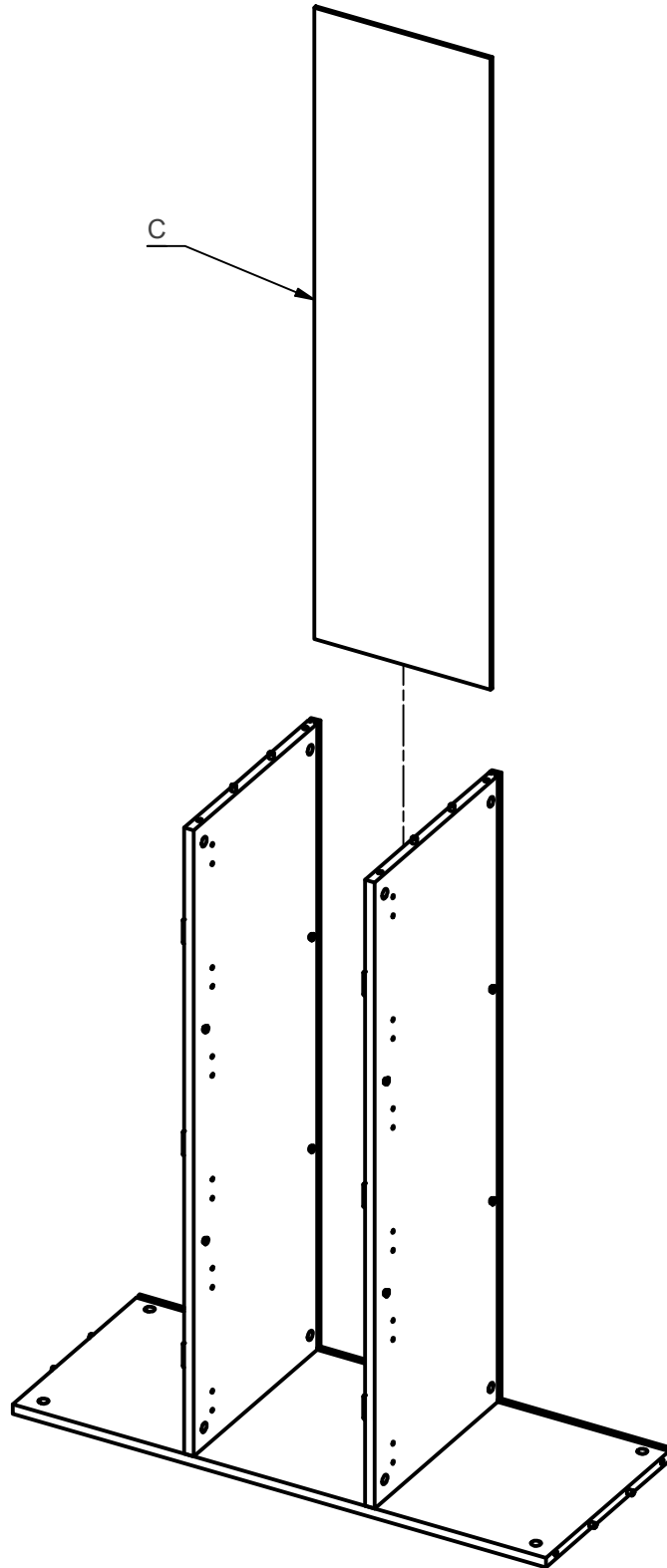




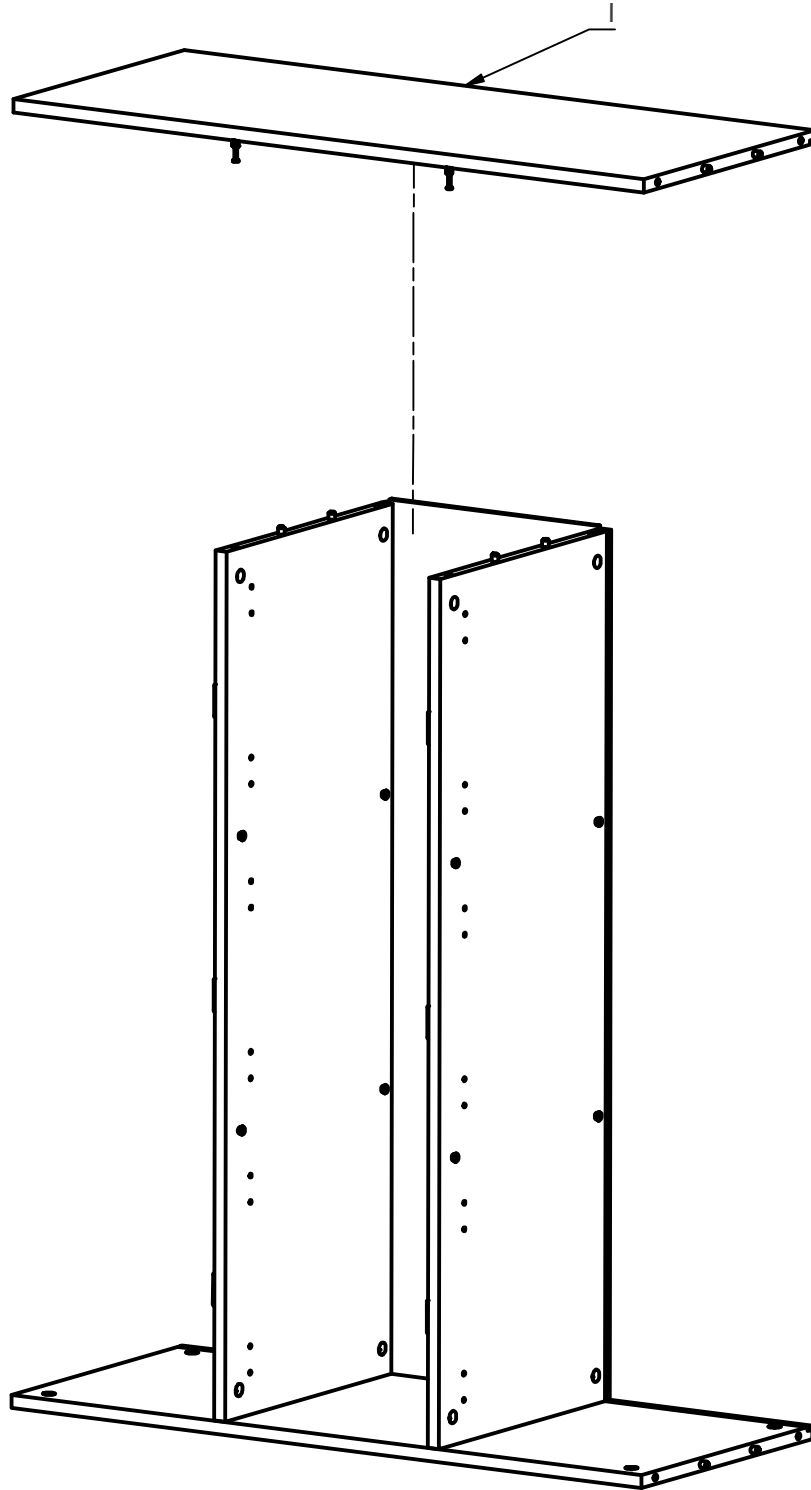
13



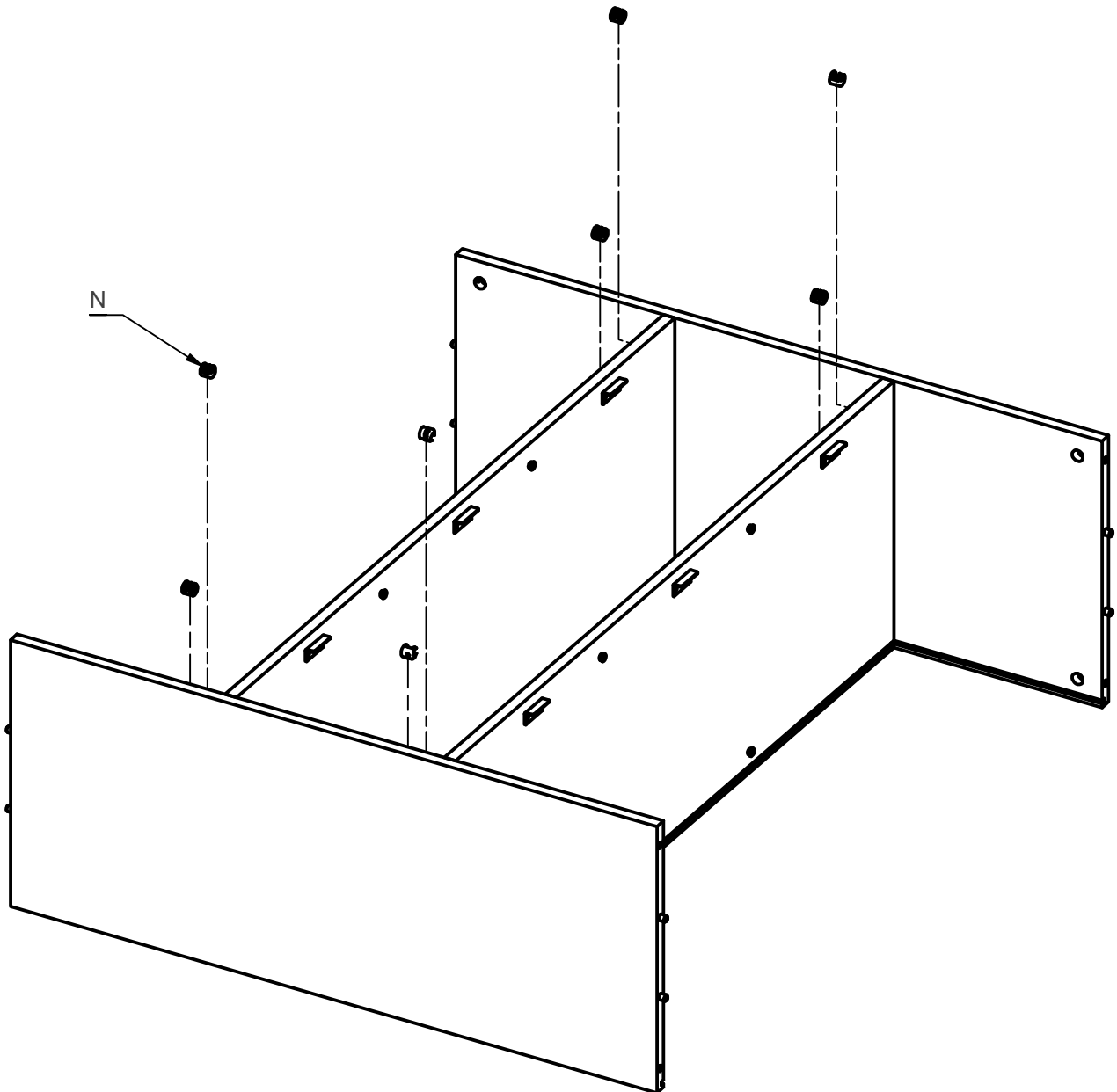
14



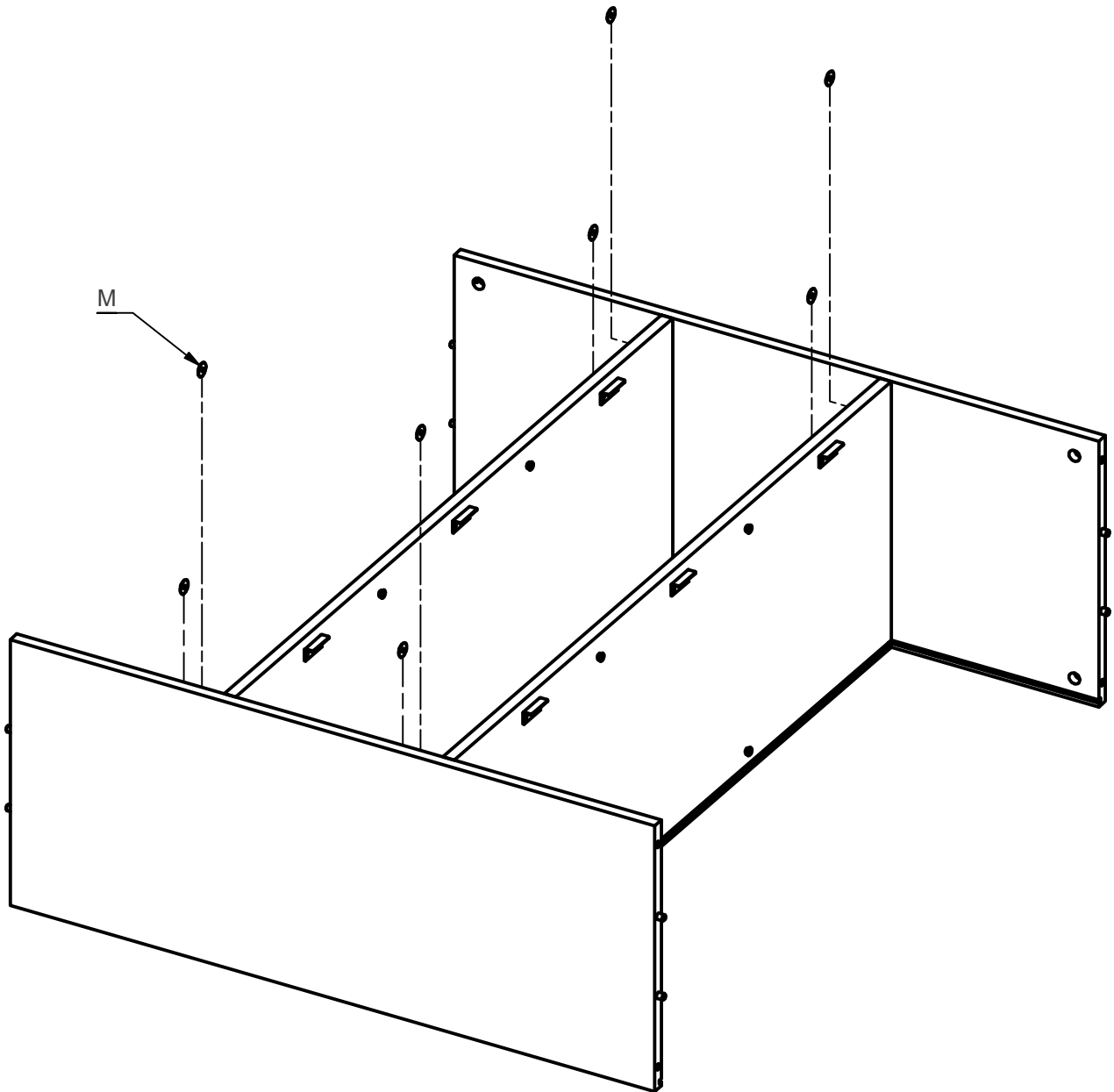
15



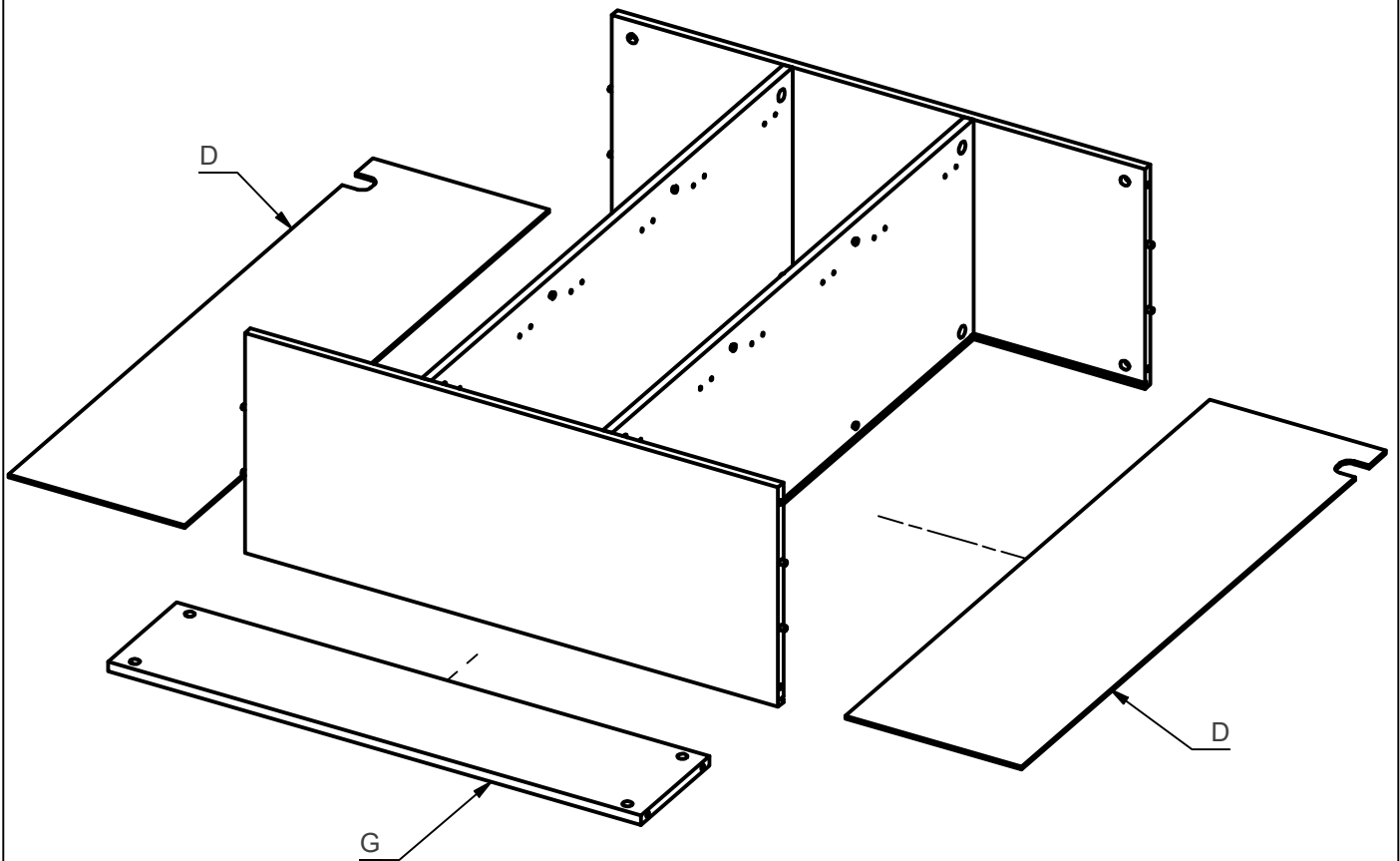
16



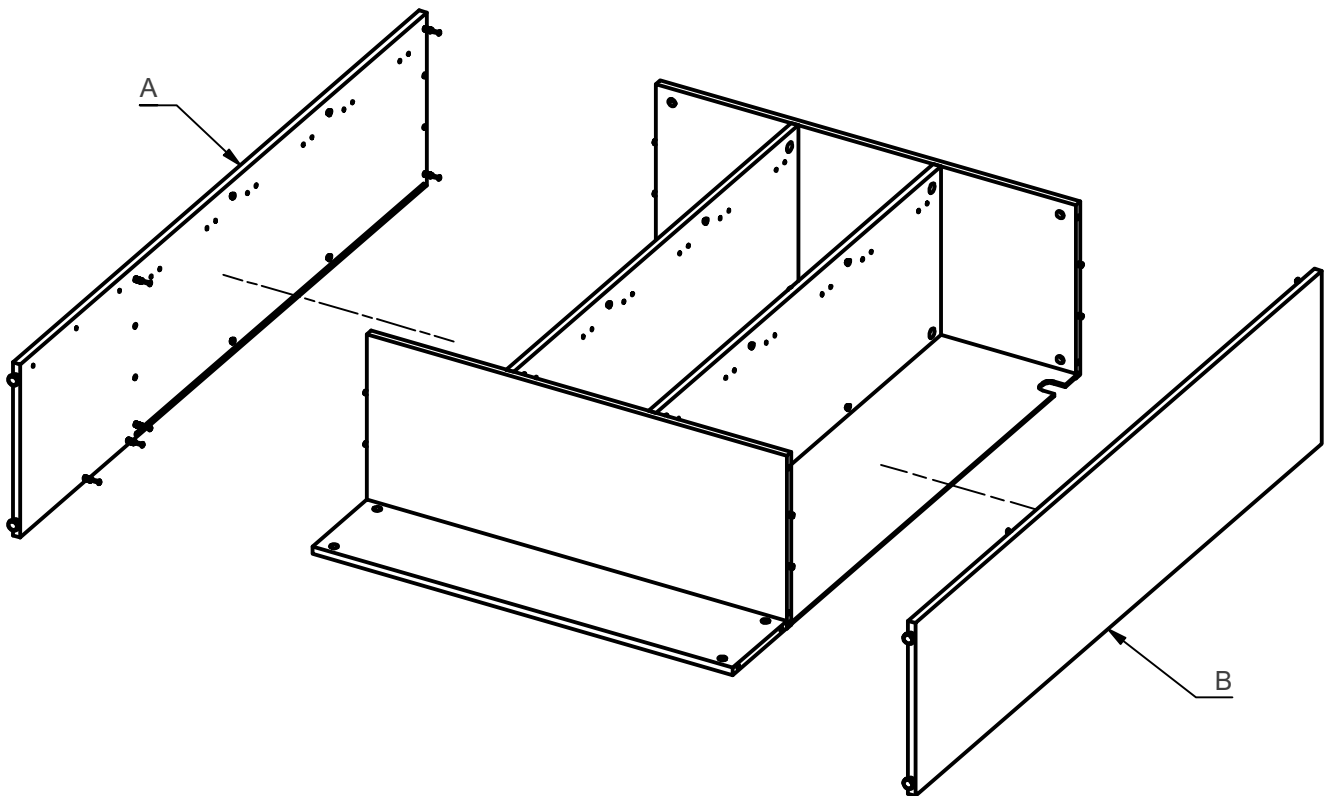
17



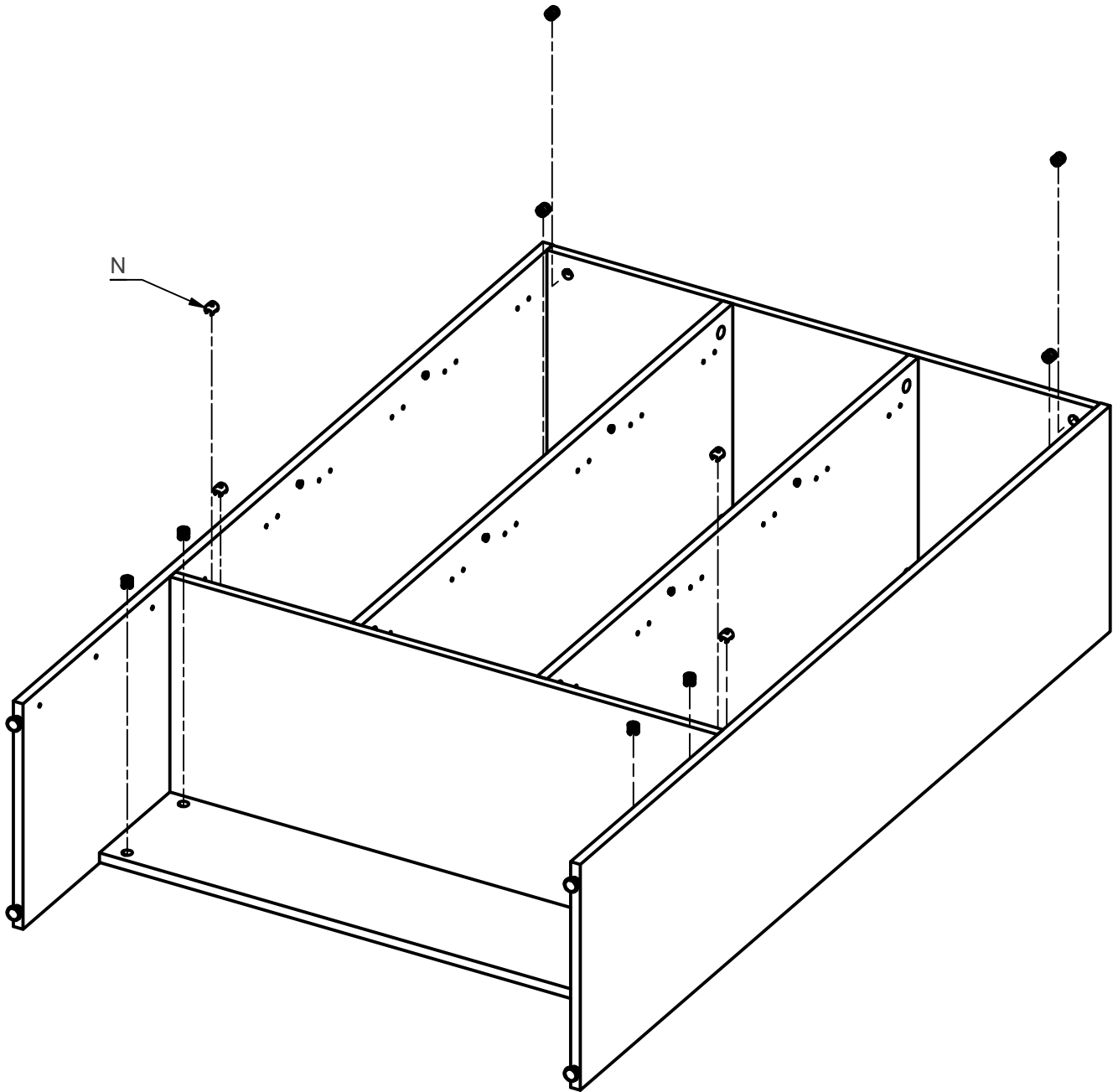
18



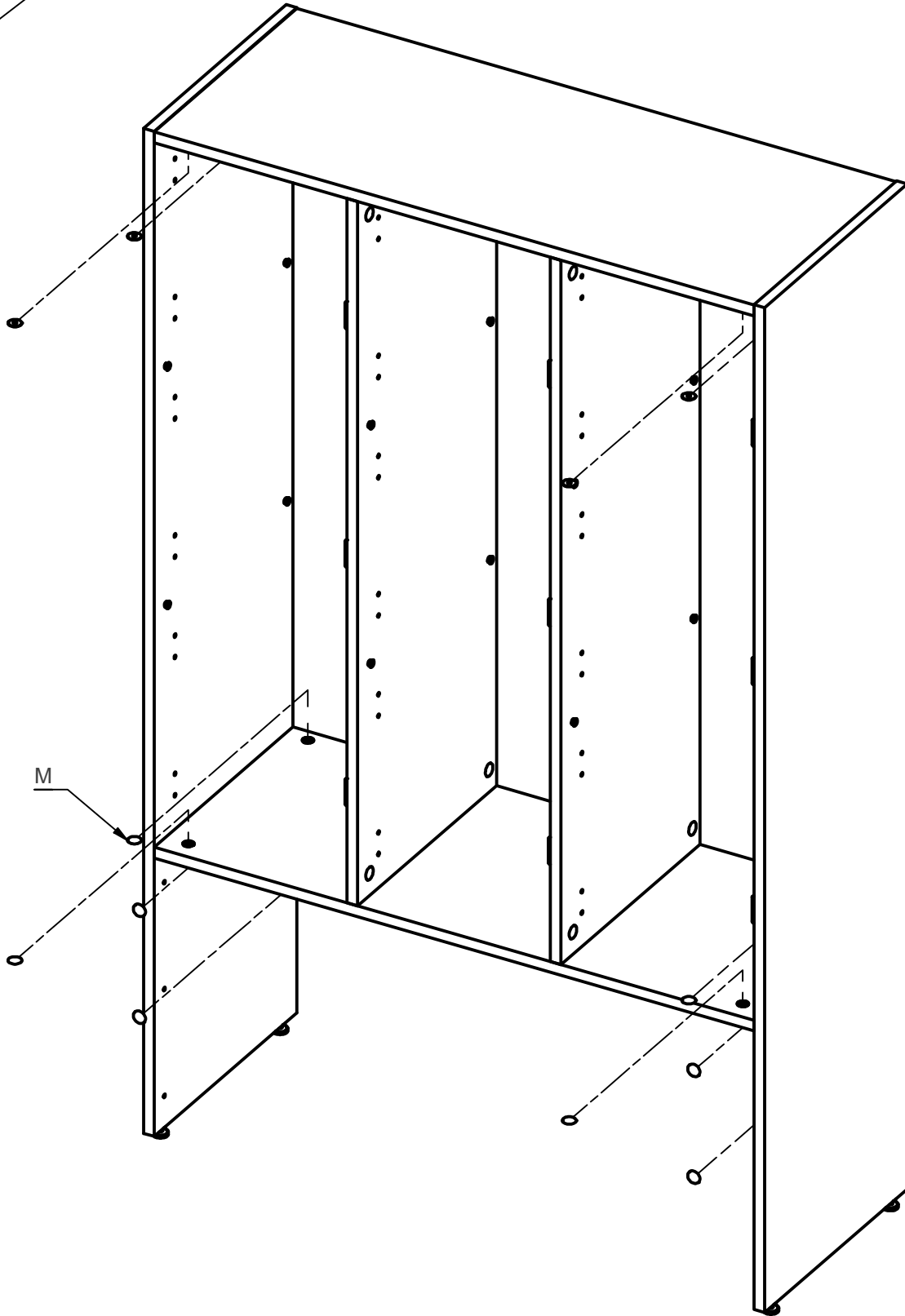
19



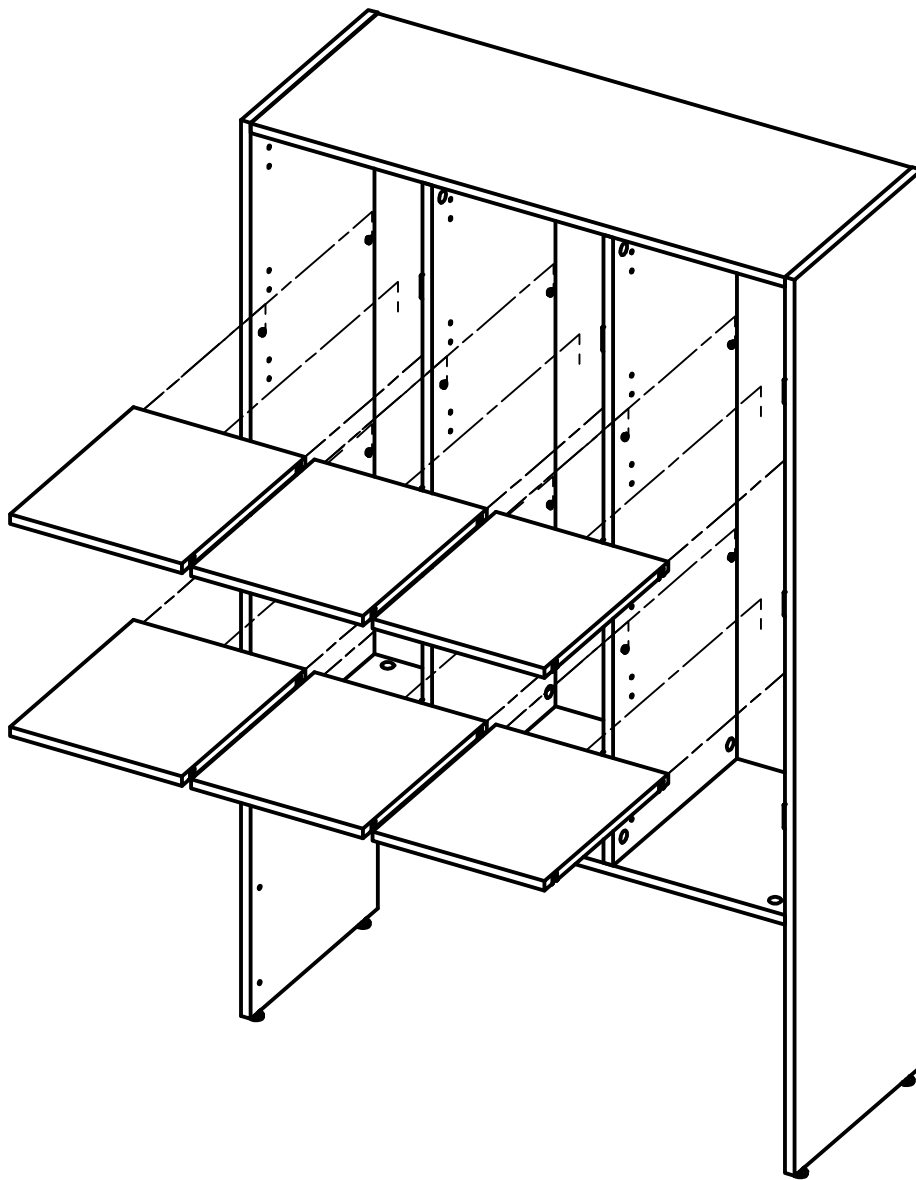
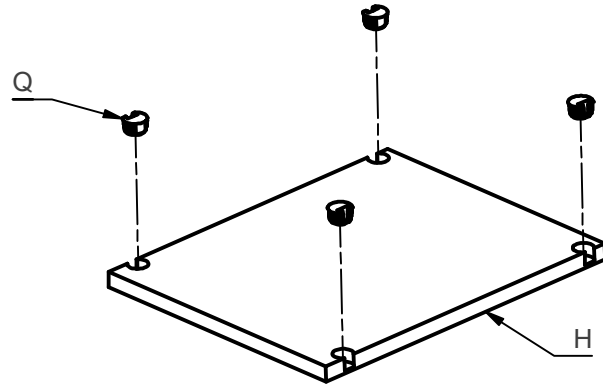
20



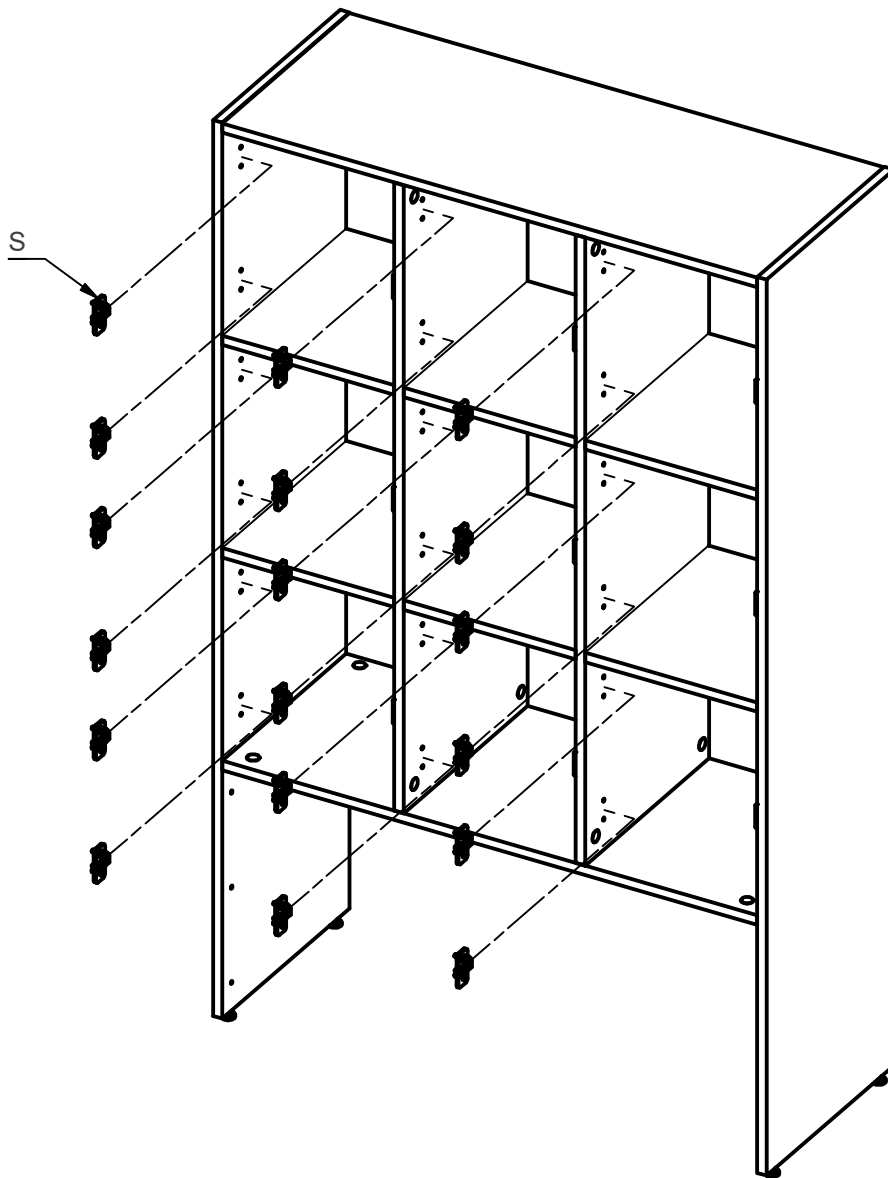
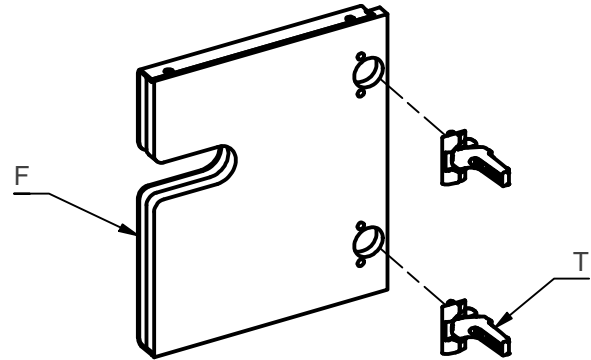
21



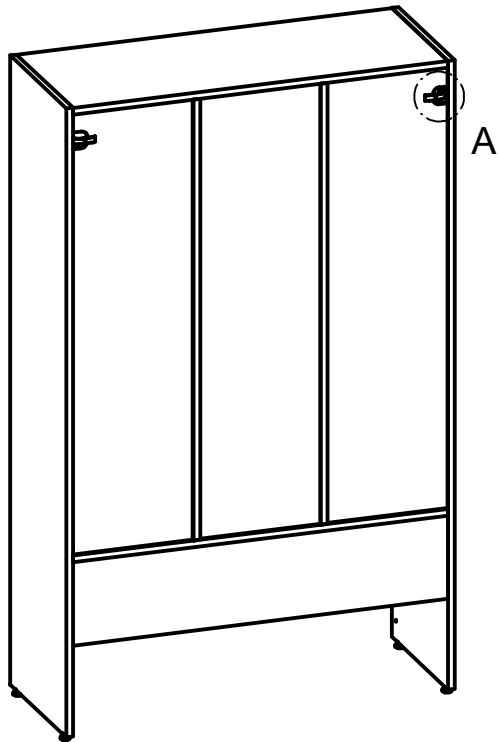
22



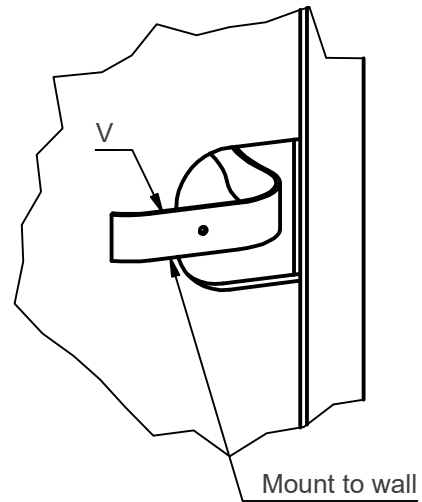
23



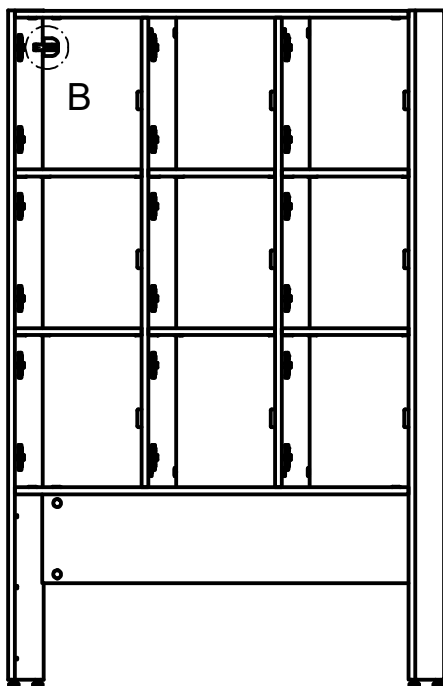
24



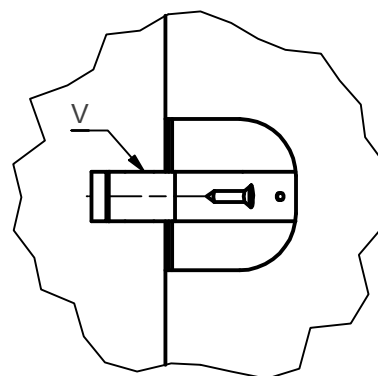
A (1:2)



Screw for wall mounting is not included



B (1:2)



25

